



www.usviper.com

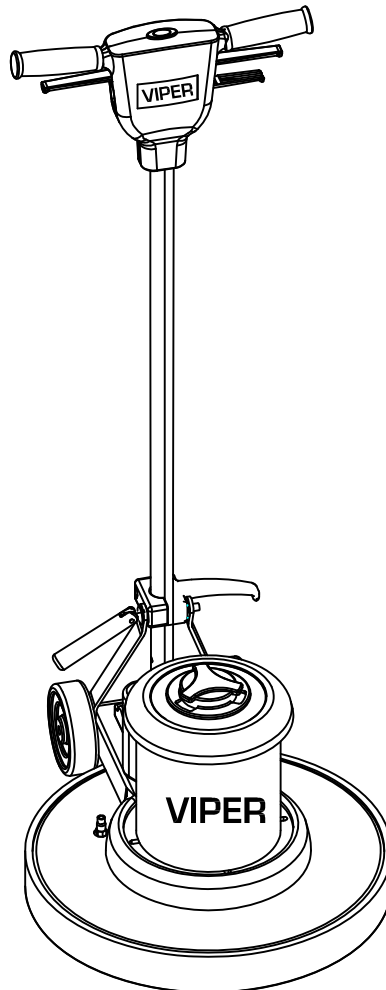
VENOM LOW SPEEDS

17 inch model

20 inch model

OWNERS MANUAL

IMPORTANT: READ OWNERS MANUAL CAREFULLY
Please fill out & return your warranty card !



17 inch model

20 inch model

MODEL #

VN1715

VN2015

SERIAL #

VIPER NORTH AMERICA
P.O. BOX 104
HAMILTON, MI 49419

VIPER...exceptional
value

[866] 418-4737
[866] 41-VIPER

REV.01(03-10)
41031



CONGRATULATIONS on your purchase of a Viper product and welcome to the V.I.P. family. We appreciate your business and will do everything in our power to keep you happy with your purchase for many years to come.

As part of the V.I.P. family, you are entitled to the best protection by one of the most comprehensive warranties in the industry.

Thank-you for purchasing Viper products!

Tom Vander Bie, CEO

TABLE OF CONTENTS

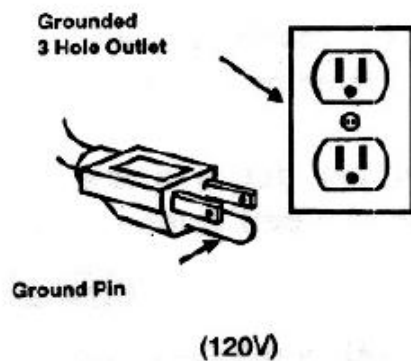
Safety Precautions	3
Machine Operation	4
Machine Maintenance & Storage	4
Parts List	5 - 9
Wiring Diagra	10

SAFETY PRECAUTIONS

GROUNDING INSTRUCTIONS

General –This floor – finishing machine shall be grounded while in use to protect the operator from electric shock. The machine is provided with a three –conductor cord and a three contact grounding type attachment plug to fit the proper grounding type receptacle. The green [or green and yellow] conductor in the cord is the grounding wire. Never connect this wire to other than the grounding pin of the attachment plug.

This machine is for use on a nominal 120-Volt circuit and has a grounding plug that resembles the plug illustrated in figure below. Make sure that the machine is connected to an outlet having the same configuration as the plug. No adapter should be used with this machine.



This machine is intended for Commercial use. It is constructed for use in an indoor environment and is not intended for any other use. Use only recommended accessories.

All operators shall read, understand and exercise the following safety precautions:

1] Do not operate machine:

- Unless trained and authorized.
- Unless you have read and understand operators manual.
- In flammable or explosive areas.
- With a damaged cord or plug.
- If not in proper operating condition.
- In outdoor areas.
- In standing water.
- With the use of extension cords.

2] Before operating machine:

- Make sure all safety devices are in place and operate properly.

3] When using machine:

- Do not run machine over cord.
- Do not pull machine by cord or plug.
- Do not pull cord around sharp edges of corners.
- Do not unplug by pulling on the cord.
- Do not stretch cord.
- Do not handle plug with wet hands.
- Keep cord away from heated surfaces.
- Report machine damage or faulty operation immediately.

4] Before leaving or servicing machine:

- Turn off machine.
- Unplug cord from outlet.

5] When servicing machine:

- Unplug cord from outlet.
- Use manufacturer supplied or approved replacements parts.
-

Operation of Floor Machines

*** READ OPERATORS MANUAL THOROUGHLY PRIOR TO OPERATING OR SERVICING THIS MACHINE.**

GENERAL USE

1. Remove any obstructions or other obstacles in the area which is to be cleaned.
2. Place the handle in the upright position and tilt machine back until handle rests on the floor
 - * Be sure the machine is not plugged into an outlet
3. Attach the pad driver or brush to the machine by placing the clutch plate over the gearbox hub and turning the driver / brush ¼ turn.
4. Place machine back into its upright position.
5. Plug power cord into a grounded outlet.
 - * Never use an extension cord in conjunction with the standard power cord.
6. The handle height may be adjusted by lifting up the compression handle which is located on the right side of the handle tube about 1 foot above floor level. Release the compression handle and adjust handle to safe operating height, then push back down on the compression handle to lock the handle in operating position.
7. To start the machine, press the red safety button on the top of the upper switch housing, and then squeeze either of the operating triggers. (the safety button must be depressed prior to squeezing the operating triggers.)
8. When the machine is in operation, both hands should be placed on the switch housing (upper handle).
9. During operation, to make the machine go right, gently raise the handle. To make the machine go left, gently lower the handle.

10. To stop the machine at any time, simply release the operating trigger(s) and the machine will stop automatically.

MAINTENANCE

To keep the machine performing well for many years, please follow the following maintenance procedures.

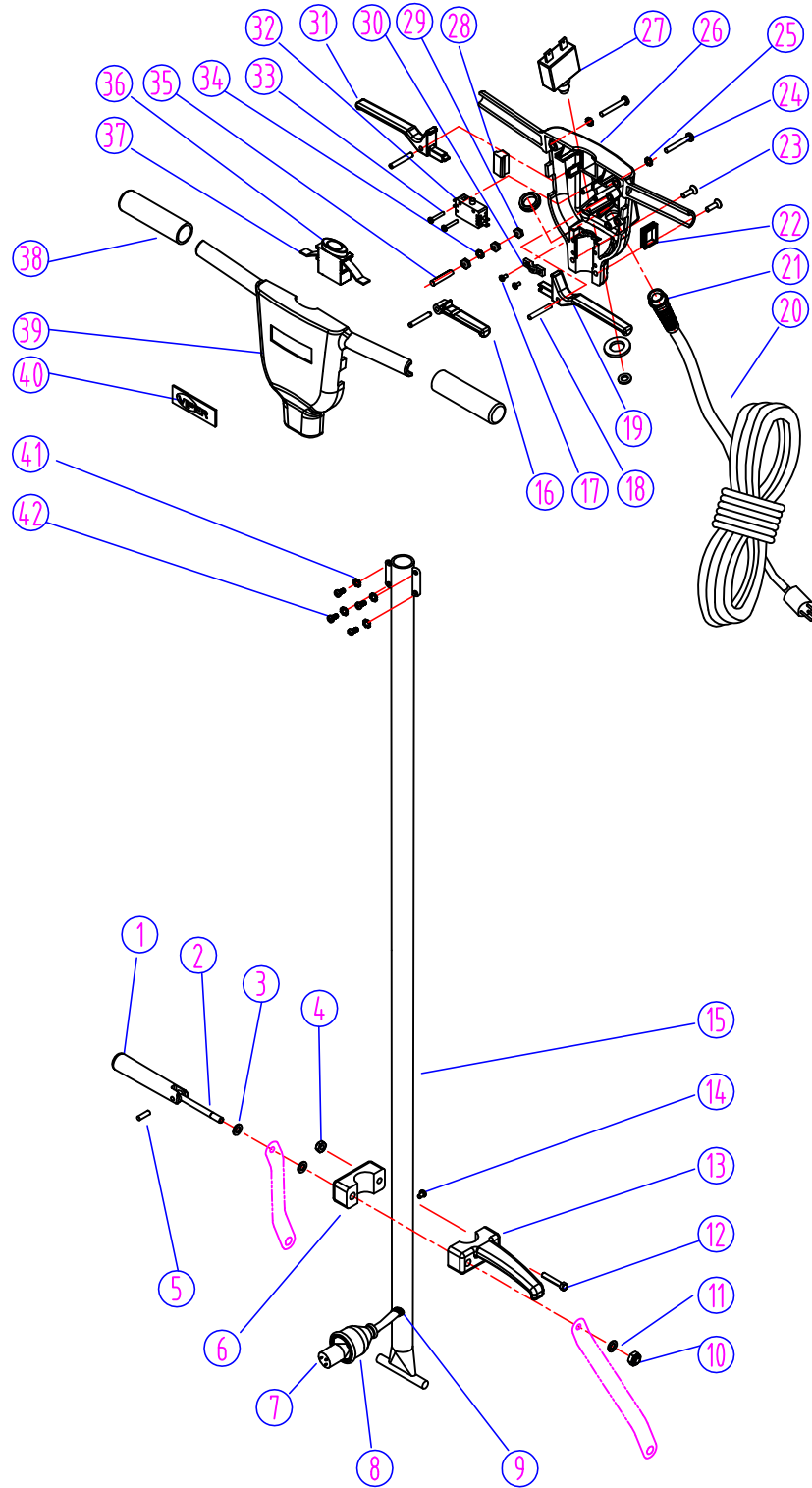
* Always confirm that the machine is unplugged prior to performing any maintenance or repairs.

1. Unplug machine as soon as you are done using it.
2. Tilt machine back and remove pad driver or brush.
 - * Never store a low speed machine with the pad driver or brush mounted to the machine.
3. Clean the outside of the machine with a mild cleaner.
4. Check power cord for any damage. If damage is detected, replace power cord immediately.
5. Lubricate wheels with a water resistant lubricant once a month.
6. Check machine for loose or missing nuts and bolts, and replace as necessary.
7. If the machine is used in a dusty environment, you may remove the motor cover and blow the motor clean with compressed air. This will ensure proper ventilation, and allow the motor to run cooler.

STORAGE

1. Unplug machine from power source and wrap cord on handle.
2. Tilt machine back and remove pad driver or brush.
3. Store machine in upright position and in a dry area.

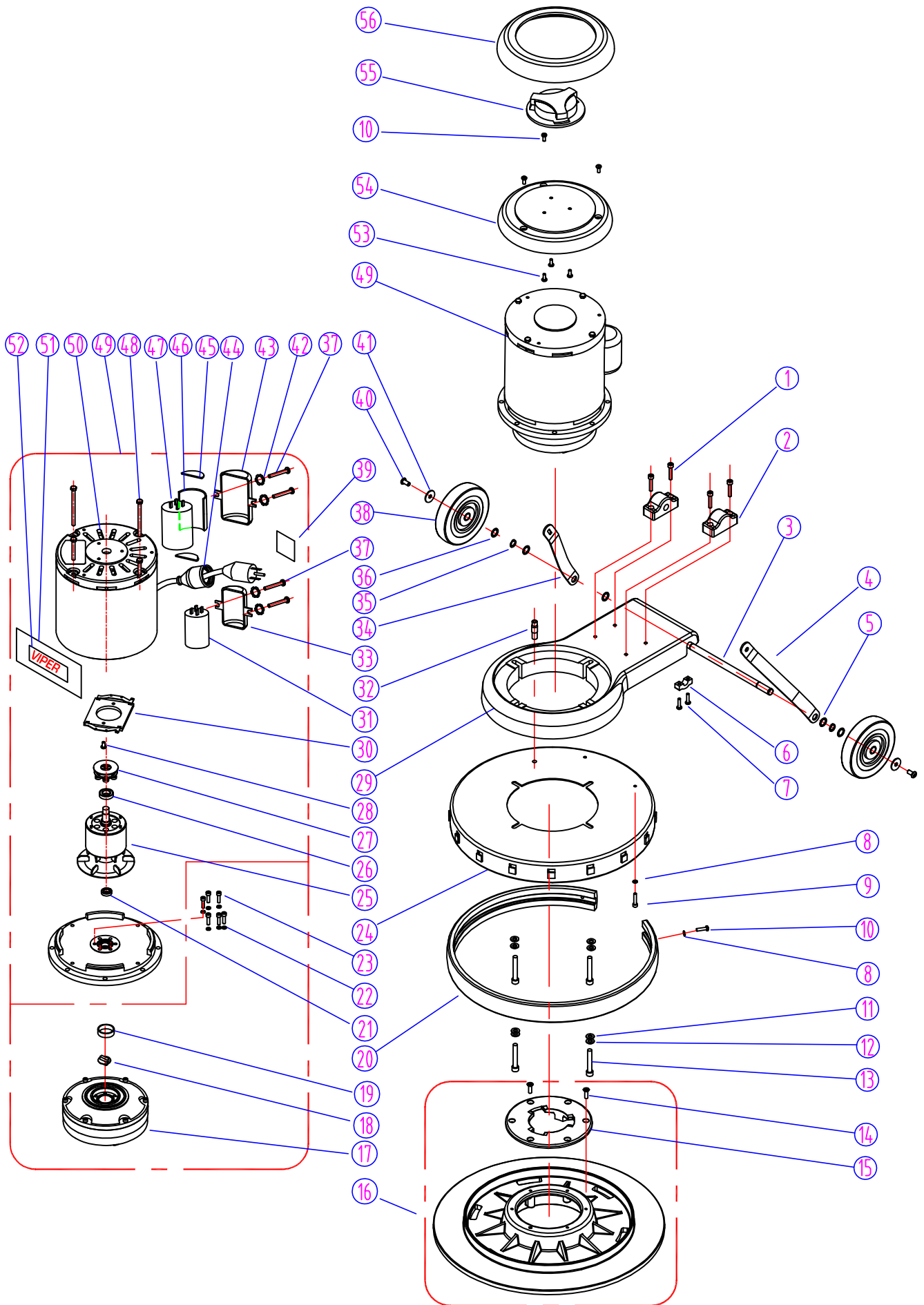
HANDLE GROUP FOR VN1715 & VN2015



HANDLE GROUP FOR VN1715 & VN2015

DIA NO	PART NUMBER	DESCRIPTION	NO REQ'D
1	VF30016	HANDLE RELEASE	1
2	VF30015	BOLT, HANDLE RELEASE	1
3	VF30018	WASHER, PLAIN	2
4	VF13503	NUT, LOCK, M8 X 5.7	1
5	VF30017	SCREW	1
6	VF30014	COVER, HOOK	1
7	VF45125	CORD, HANDLE	1
8	AS41901	PLUG PROTECTOR, SMALL MALE	1
9	VF50120A	GROMMET	1
10	VF13504	NUT, LOCK, M10	1
11	VF30027	WASHER, PLAIN	1
12	VF14114	SCREW, M8 X 55	1
13	VF30013	HOOK, CORD	1
14	VF13493	SCREW, M6 X 10	1
15	AS112205	TUBE	1
16	VF44018	LEVER, SOLUTION	1
17	VV13667	SCREW, M4 X 8	2
18	VF48306	PIN	3
19	VF44016	LEVER, LEFT, SWITCH	1
20	VF45119	CORD, POWER SUPPLY	1
21	AS22009	STRAIN RELIEF, CORD	1
22	VF30108	GASKET, HANDLE, SOLUTION	1
23	VF14223	SCREW, M6 X 25	2
24	VF14218	SCREW, M6 X 45	2
25	VF13528	WASHER, TOOTH, M6	2
26	VF30102	REAR COVER, SWITCH HOUSING	1
27	VF99010C	BREAKER, CIRCUIT, 17A	1
28	VF30109	COVER	1
29	GT13013	NUT, M4	3
30	VF48309	CLAMP BLOCK	1
31	VF44017	LEVER, RIGHT, SWITCH	1
32	VF44203	SWITCH ASSEMBLY	1
33	VF14212	SCREW, M3 X 25	2
34	VF13527	WASHER, TOOTH, M4	1
35	VF13526	SCREW, M4 X 30	1
36	VF46705	SAFETY BUTTON	1
37	GV40218	SPRING, SAFETY BUTTON	1
38	VF48310	HANDLE GRIP	2
39	VF30101	FRONT COVER, SWITCH HOUSING	1
40	VF47035A	"VIPER" LOGO	1
41	VF13604	WASHER, TOOTH, M5	4
42	VF14222	SCREW, M5 X 12	4

BASE GROUP FOR VN1715 & VN2015



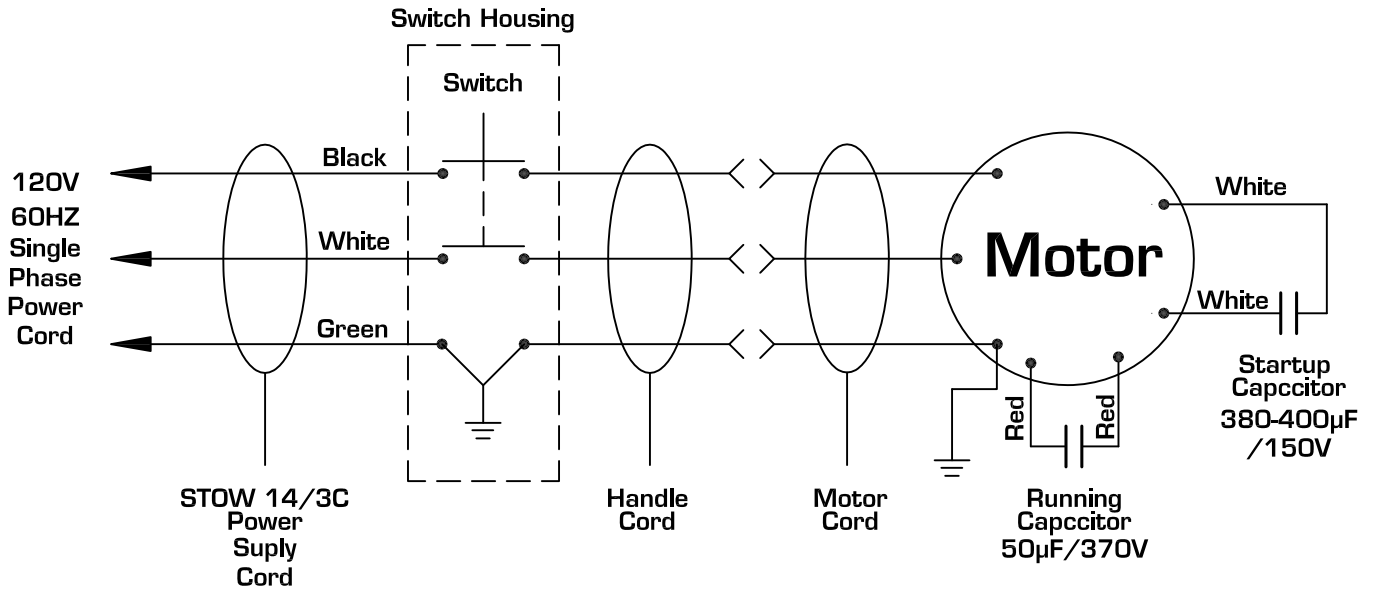
BASE GROUP FOR VN1715 & VN2015

DIA NO	PART NUMBER	DESCRIPTION	NO REQ'D
1	GT13080	SCREW, M6 X 30	4
2	VF30011	CLAMP BLOCK, HANDLE	2
3	VF30026	AXLE	1
4	VF30020	BRACKET, LEFT HANDLE	1
5	VV20274	WASHER, PLAIN, M13	4
6	GV40235	CLAMP BLOCK, AXLE	2
7	VV13621	SCREW, SELF-TAPPING, ST, M5 X 20	4
8	VF13474A	WASHER, PLAIN, M5	4
9	VF13613	SCREW, M5 X 20	2
10	VA13474	SCREW, M5 X 16	5
11	VF13524	WASHER, PLAIN, M8	4
12	VF13519	WASHER, LOCK, M8	4
13	VF14114	SCREW, M8 X 55	4
14	MF-VF002-4A	SCREW, SELF-TAPPING, 1/4"-1"	6
15	MF-VF002-2	CLUTCH PLATE	1
16	MF-VF022	VN2015 - PAD HOLDER, 19-INCH	1
	MF-VF021	VN1715 - PAD HOLDER, 16-INCH	1
17	VF999802B	GEAR BOX	1
18	VF99021	COUPLER	1
19	MT01102	SLEEVE	1
20	VF30004	VN2015 - BUMPER, 20-INCH	1
	VF30005	VN1715 - BUMPER, 17-INCH	1
21	VF999821A	BEARING, 6002 LLU	1
22	VV13601	WASHER, LOCK, M5	6
23	VV13636	SCREW, M5 X 30	6
24	VF30006	VN2015 - FRAME, 20-INCH	1
	VF30006A	SHROUD & BUMPER ASSY, 20-INCH	1
	VF30007	VN1715 - FRAME 17-INCH	1
	VF30007A	SHROUD & BUMPER ASSY, 17-INCH	1
25	YLQ19200B	ROTOR WITH FAN ASSEMBLY	1
26	YCQ10501	BEARING, 6203 RZ	1
27	YCQ12301	CENTRIFUGAL SWITCH	1
28	VF14549	SCREW, M4 X 10	2
29	VF30008	ALUMINIUM BASE, MOTOR	1
30	YCQ12302	STATIONARY SWITCH	1
31	VF999854	RUNNING CAPACITOR, 50 μ F / 370V	1
32	VF40152	HOSE BARB	1
33	YLQ14601	MOUNTING FRAME (SMALL), CAPACITOR	1
34	VF30019	BRACKET, HANDLE, RIGHT	1
35	VF13520	WASHER, LOCK	2

BASE GROUP FOR VN1715 & VN2015

DIA NO	PART NUMBER	DESCRIPTION	NO REQ'D
36	VF50119	WASHER, PLAIN, M12	2
37	VF14214	SCREW, M5 X 8	4
38	VF48202	WHEEL, 5"	2
39	VF40994	LABEL, READ MANUAL	1
40	VF44012	SCREW, M6 X 12.7	2
41	VF13666	WASHER, M6	2
42	VF13604	WASHER, LOCK, EXTERNAL TOOTH	4
43	YCQ10615	MOUNTING FRAME (BIG), CAPACITOR	1
44	AS41902	PLUG PROTECTOR, LARGE FEMALE	1
45	YCQ10414	CLEAR COVER	4
46	YCQ10416	CAPACITOR WRAP	2
47	VF999805	START CAPACITOR (BIG), 380-400 μ F / 150V	1
48	YLQ17507	BOLT ASSEMBLY	4
49		SEE #17 & #50	
50	VF999787	MOTOR, 110V, 1.5HP	1
51	VF44003	LABEL, MOTOR	1
52	VF41079	LABEL, VIPER	1
53	VF14222	SCREW, M5 X 12	3
54	VF30001	TOP COVER, MOTOR	1
55	VF30002	CLUTCH PLATE	1
56	VF47023	BUMPER	1

WIRING DIAGRAM



Triad Service Center

4550 40th Street SE
Kentwood, MI 49512

Toll Free: (888) 834-9948

www.triadservice.com